



MAINTENANCE ANNUNCIATOR LIGHT CONTROL PANEL
ASSEMBLY, M2311

PART NUMBER 233T4261-1

COMPONENT MAINTENANCE MANUAL
WITH
ILLUSTRATED PARTS LIST

34-22-19

TITLE PAGE

Page 1

Mar 01/01

01

L75246



REVISION RECORD

- Retain this record in front of manual. On receipt of revision, insert revised pages in the manual, and enter revision number, date inserted and initial.

REVISION NUMBER	REVISION DATE	DATE FILED	BY	REVISION NUMBER	REVISION DATE	DATE FILED	BY

34-22-19

REVISION RECORD

01 Page 1

Mar 01/01



TEMPORARY REVISION AND SERVICE BULLETIN RECORD

BOEING SERVICE BULLETIN	BOEING TEMPORARY REVISION	OTHER DIRECTIVE	DATE OF INCORPORATION INTO MANUAL

34-22-19

TR & SB RECORD

01

Page 1

Mar 01/01


BOEING
 COMPONENT
 MAINTENANCE MANUAL

PAGE	DATE	CODE	PAGE	DATE	CODE
34-22-19			ILLUSTRATED PARTS LIST		
TITLE PAGE			1001	MAR 01/01	01
1	MAR 01/01	01	1002	MAR 01/01	01
2	BLANK		1003	MAR 01/01	01
REVISION RECORD			1004	MAR 01/01	01
1	MAR 01/01	01	1005	MAR 01/01	01
2	BLANK		1006	MAR 01/01	01
TR & SB RECORD			1007	MAR 01/01	01
1	MAR 01/01	01	1008	BLANK	
2	BLANK				
LIST OF EFFECTIVE PAGES					
1	MAR 01/01	01			
THRU LAST PAGE					
CONTENTS					
1	MAR 01/01	01			
2	BLANK				
INTRODUCTION					
1	MAR 01/01	01			
2	BLANK				
DESCRIPTION & OPERATION					
1	MAR 01/01	01			
2	BLANK				
TESTING & TROUBLE SHOOTING					
101	MAR 01/01	01			
102	MAR 01/01	01			
103	MAR 01/01	01			
104	BLANK				
REPAIR-GENERAL					
601	MAR 01/01	01			
602	BLANK				

* = REVISED, ADDED OR DELETED

34-22-19

EFFECTIVE PAGES
 LAST PAGE Page 1
 01 Mar 01/01



TABLE OF CONTENTS

<u>Paragraph Title</u>	<u>Page</u>
Description and Operation	1
Testing and Trouble Shooting.	101
Disassembly*[1]	
Cleaning.*[1]	
Check*[1]	
Repair.	601
Assembly.*[1]	
Fits and Clearances (not applicable)	
Special Tools*[2]	
Illustrated Parts List.	1001

*[1] Use applicable procedures in S0PM 20-11-04 and standard industry practices.
 *[2] Special instructions not required.



INTRODUCTION

The instructions in this manual provide the information necessary to perform maintenance functions including test, fault isolation, and replacement of defective components.

This manual is divided into separate sections:

- | | |
|--|------------------------------|
| 1. Title Page | 4. List of Effective Pages |
| 2. Record of Revisions | 5. Table of Contents |
| 3. Temporary Revision &
Service Bulletin Record | 6. Introduction |
| | 7. Procedures & IPL Sections |

Refer to the Table of Contents for the page location of applicable sections.

An explanation of the use of the Illustrated Parts List is provided in the Introduction to that section.

All weights and measurements used in the manual are in English units, unless otherwise stated. When metric equivalents are given they will be in parentheses following the English units.

Design changes, optional parts, configuration differences and Service Bulletin modifications create alternate part numbers. These are identified in the Illustrated Parts List (IPL) by adding an alphabetical character to the basic item number. The resulting item number is called an alpha-variant. Throughout the manual, IPL basic item number references also apply to alpha-variants unless otherwise indicated.

Verification:

Testing/TS

34-22-19

INTRODUCTION

01

Page 1

Mar 01/01



MAINTENANCE ANNUNCIATOR LIGHT CONTROL PANEL ASSEMBLY, M2311

DESCRIPTION AND OPERATION

1. Description

- A. The Maintenance Annunciator Light Control Panel Assembly consists of an Indicator Light S1 which can be pressed/released to act as a momentarily switch when needed. The wire bundle consists of three wires that are connected between the Indicator Light S1 and the connector J1. There is a decal on this panel right above the Indicator Light which reads IVS ELECTRICAL FILTER FAIL.

2. Operation

- A. When power is connected to the Indicator Light S1 the light comes on (annunciates) which is the case when the IVS ELECTRICAL FILTER fails. By pressing and releasing the S1 the light will extinguish.

34-22-19

DESCRIPTION & OPERATION

01

Page 1

Mar 01/01

TESTING AND TROUBLE SHOOTING

 1. Test Equipment

- A. Test Connector: BACC45FT12-12S8 to mate with J1.
- B. DC Power Supply: 28 \pm 0.5v dc, .5 Amp max.

 2. Functional Test

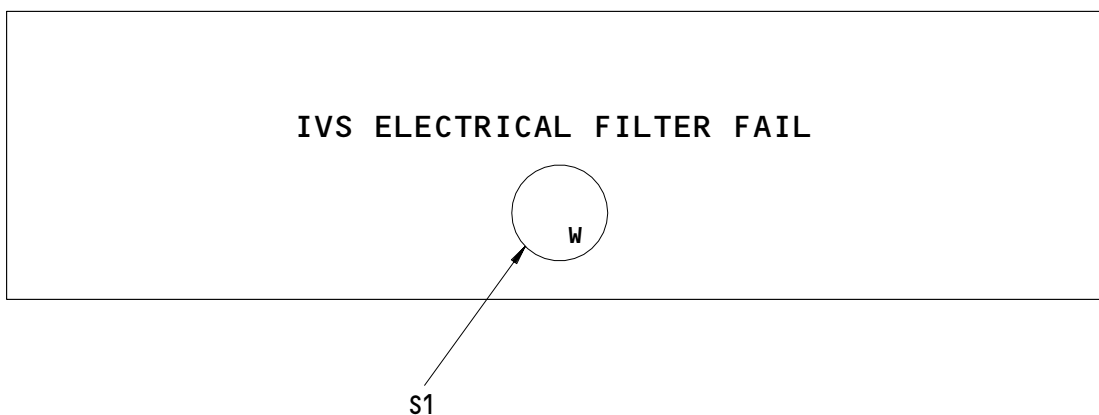
- A. See Component Location Fig. 101
- B. See Schematic Fig. 102
- C. See Table 101 for Functional Test

STAT NUMBER	PROCEDURE	REQUIRED RESULTS	SUSPECT COMPONENT(S)
1	Connect test connector with the J1 connector.		
2	Apply 28 \pm 0.5v, 0.5 Amp to J4-6 and ground J4-5.	S1 ON	S1
3	Momentarily press and release S1.	S1 OFF while pressed	S1
4	Remove ground from J4-5.		
5	Connect J4-7 to ground.	S1 OFF	S1
	Momentarily press and release S1.	S1 ON while pressed	S1
6	Remove J4-7 from the ground and remove the 28v dc power from J4-6.		
7	Remove all connections.		
	END OF TEST		

 Functional Test
 Table 10

34-22-19

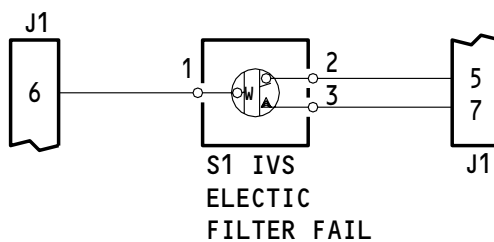
 TESTING & TROUBLE SHOOTING
 01 Page 101
 Mar 01/01



233T4261-1
Component Location
Figure 101

34-22-19

TESTING & TROUBLE SHOOTING
01 Page 102
Mar 01/01



NOTE: ALL WIRES BMS 13-48 TYPE I
(OR TYPE 10), CLASS 1, SIZE 22.

233T4261-1
 Maintenance Annunciator Lights Control Panel Assembly, M2311 Schematic Diagram
 Figure 102

34-22-19

TESTING & TROUBLE SHOOTING
 01 Page 103
 Mar 01/01



BOEING
COMPONENT
MAINTENANCE MANUAL

REPAIR

1. Material

- A. Loctite sealant, type 242 or 222 without primer (Loctite Corp., 705 North Mounting Road, Newington, Connecticut 06111-1411)
2. All repair can be done with standard industry practices and procedures contained in SOPM 20-11-04 except as follows:
- A. When replacing the baseplate IPL Fig. 1-15, apply loctite sealant (type 242 or 222 without primer) to the threaded parts of the screws (Fig. 1-10) before you tighten.

34-22-19

REPAIR-GENERAL

01

Page 601

Mar 01/01

ILLUSTRATED PARTS LIST

1. This section lists and illustrates replaceable or repairable component parts. The Illustrated Parts Catalog contains a complete explanation of the Boeing part numbering system.

2. Indentures show parts relationships as follows:

Assembly

Detail Parts for Assembly

Subassembly

Attaching Parts for Subassembly

Detail Parts for Subassembly

Detail Installation Parts (Included only if installation parts may be returned to shop as part of assembly)

3. One use code letter (A, B, C, etc.) is assigned in the EFF CODE column for each variation of top assembly. All listed parts are used on all top assemblies except when limitations are shown by use code letter opposite individual part entries.

4. Letter suffixes (alpha-variants) are added to item numbers for optional parts, Service Bulletin modification parts, configuration differences (Except left- and right-hand parts), product improvement parts, and parts added between two sequential item numbers. The alpha-variant is not shown on illustrations when appearance and location of all variants of the part is the same.

5. Service Bulletin modifications are shown by the notations PRE SB XXXX and POST SB XXXX.

A. When a new top assembly part number is assigned by Service Bulletin, the notations appear at the top assembly level only. The configuration differences at detail part level are then shown by use code letter.

B. When the top assembly part number is not changed by the Service Bulletin, the notations appear at the detail part level.

6. Parts Interchangeability

Optional
(OPT)

The parts are optional to and interchangeable with other parts having the same item number.

Supersedes, Superseded By
(SUPSDS, SUPSD BY)

The part supersedes and is not interchangeable with the original part.

Replaces, Replaced By
(REPLS, REPLD BY)

The part replaces and is interchangeable with, or is an alternate to, the original part.

34-22-19

ILLUSTRATED PARTS LIST

01

Page 1001

Mar 01/01

7. The MOD level codes in the nomenclature column, such as MOD A and MOD B, identify interchangeable top assemblies which have the same part number but which have differences at the subassembly or component levels. The IPL identifies each MOD level of a top assembly with a different item number and use code. The nameplate label identifies the MOD level of each assembly in the MOD LEVEL block.
8. Use substitute parts only as specified in the document D906-10182, Electrical/Electronic/Electromechanical and Mechanical Parts Substitution.

34-22-19ILLUSTRATED PARTS LIST
01 Page 1002
Mar 01/01

 **BOEING**
COMPONENT
MAINTENANCE MANUALVENDORS

- 12324 DUPREE INC STAKE FASTENER CO
14395 RAMONA PO BOX 1797
CHINO, CALIFORNIA 91708
FORMERLY DUPREE MFG CO IN SOUTH EL MONTE, CALIFORNIA
FORMERLY STAKE FASTENER CO DIV OF DUPREE INC
- 15653 FAIRCHILD FASTENERS KAYNAR PRODUCTS DIV
800 S STATE COLLEGE BLVD
FULLERTON, CALIFORNIA 92831-3001
FORMERLY VK6405 MICRODOT AEROSP LTD; FORMERLY KAYNAR TECH
KAYNAR DIV
- 60119 MONADNOCK CO THE
18301 ARENTH AVENUE PO BOX 1222
CITY OF INDUSTRY, CALIFORNIA 91749
FORMERLY UNITED CARR FASTENER CORP VB0051 VB0056 VB0076
FORMERLY TRW ELECTRONIC COMPONENTS CINCH-MONADNOCK DIV
FORMERLY CINCH-MONADNOCK DIV OF TRW INC V76530
- 72794 DZUS FASTENER COMPANY, INCORPORATED
425 UNION BOULEVARD
WEST ISLIP, NEW YORK 11795-3123
FORMERLY IN BABYLON, NEW YORK
- 72962 HARVARD INDUSTRIES INC
3 WERNER WAY SUITE 210
LEBANON, NEW JERSEY 08833
FORMERLY AMERACE CORP ESNA DIV
FORMERLY ELASTIC STOP NUT IN UNION, NJ
- 81590 KORRY ELECTRONIC INC SUB OF CRITON CORP
901 DEXTER AVENUE NORTH
SEATTLE, WASHINGTON 98109-3515
FORMERLY KORRY, BORIS VB0021 AND KORRY MFG CO

34-22-19ILLUSTRATED PARTS LIST
01 Page 1003
Mar 01/01

REFERENCE DESIGNATOR INDEX (SEE SCHEMATIC DIAGRAM)		
REFERENCE DESIGNATOR	PART NUMBER	FIG-ITEM
J1 S1	BACC45FN12-12P8 BCREFA3292	1-40 5

34-22-19

ILLUSTRATED PARTS LIST
01 Page 1004
Mar 01/01


BOEING
 COMPONENT
 MAINTENANCE MANUAL

PART NUMBER	AIRLINE PART NO.	FIG.	ITEM	TTL REQ
BACC45FN12-12P8		1	40	1
BACN10NW1		1	35	2
BACP10U0150N		1	25	1
BACS21DX1B		1	20	2
BAC27TFDE553		1	70	1
BCREFA3292		1	5	1
FH6C5CPL12BN		1	10	3
K19798-04		1	35	2
MS35338-136		1	50	3
MS51957-14		1	30	2
MS51957-27		1	45	3
PFSC35-38ASEMB		1	20	2
RMA4812-160-40		1	35	2
116-565-1042-00		1	5	1
233T4261-1		1	1A	RF
233T4261-2		1	15	1
233T4261-3		1	65	1
233T6200-107		1	60	1
293162		1	35	2
69B46200-5		1	55	3

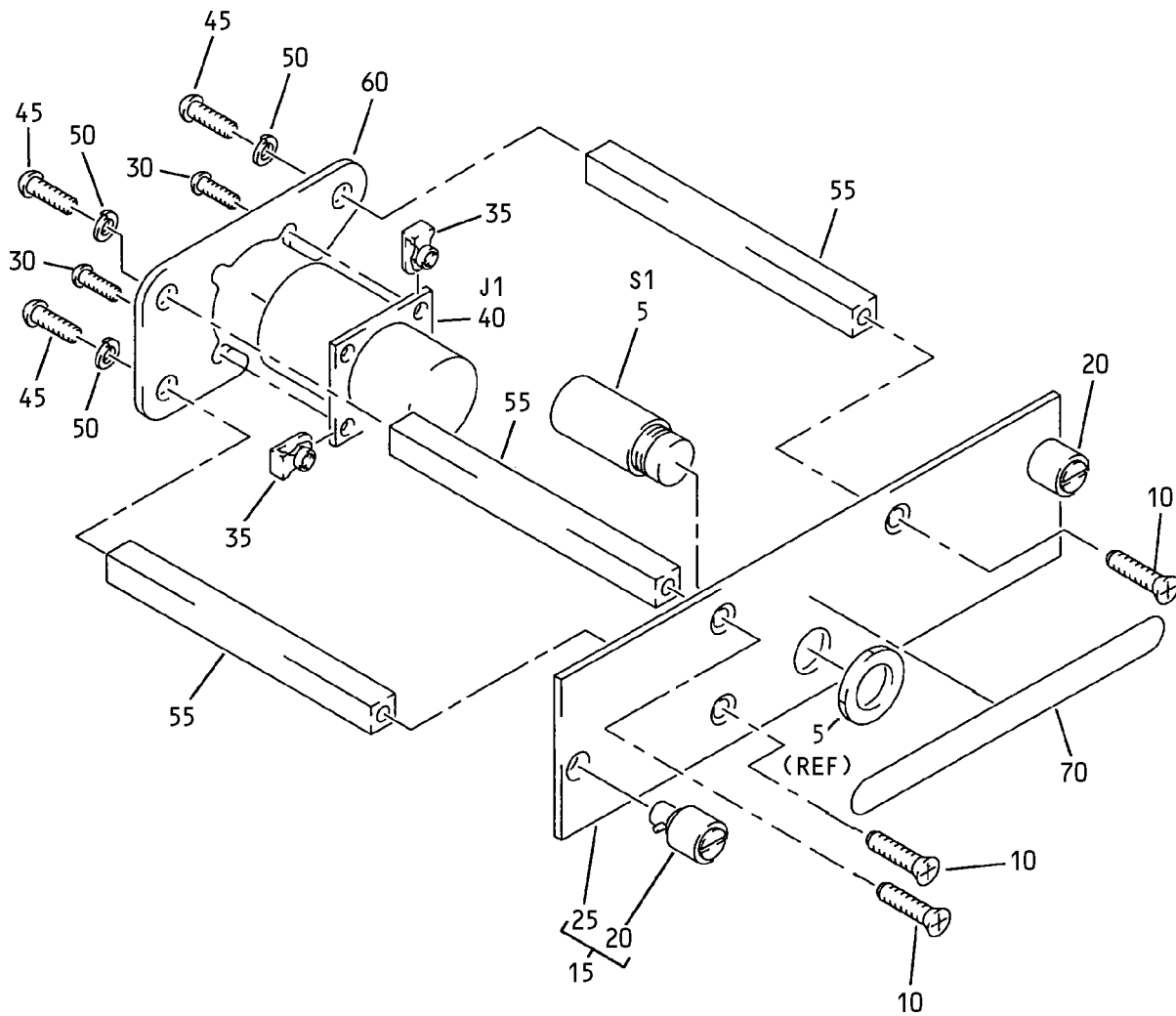
34-22-19

ILLUSTRATED PARTS LIST

01

Page 1005

Mar 01/01



Maintenance Annunciator Light Control Panel Assembly, M2311
 Figure 1

34-22-19

ILLUSTRATED PARTS LIST
 01 Page 1006
 Mar 01/01


BOEING
 COMPONENT
 MAINTENANCE MANUAL

FIG. & ITEM	PART NO.	AIRLINE PART NUMBER	NOMENCLATURE 1234567	EFF CODE	QTY PER ASSY
01- -1A	233T4261-1		PANEL ASSY-MAINT ANNUNCIATOR LTS CONT		RF
5	BCREFA3292		.LIGHT-IND (V81590) (116-565-1042-002) (S1)		1
10	FH6C5CPL12BN		.SCREW- (V12324)		3
15	233T4261-2		.BASEPLATE ASSY		1
20	PFSC35-38ASEMB		..STUD ASSY- (V72794) (SPEC BACS21DX1B)		2
25	BACP10U0150N		..PANEL		1
30	MS51957-14		.SCREW		2
35	K19798-04		.NUT- (V15653) (SPEC BACN10NW1) (OPT RMA4812-160-40 (V72962)) (OPT 293162 (V60119))		2
40	BACC45FN12-12P8		.CONNECTOR- (J1)		1
45	MS51957-27		.SCREW		3
50	MS35338-136		.WASHER		3
55	69B46200-5		.STANDOFF		3
60	233T6200-107		.BRACKET-SPRT		1
-65	233T4261-3		.WIRE BUNDLE		1
70	BAC27TFDE553		.DECAL-VINYL, IVS ELECTRIC FILTER FAIL BOEING LETTER HISTORY		1

- Item Not Illustrated

34-22-19

ILLUSTRATED PARTS LIST

01

Page 1007

Mar 01/01